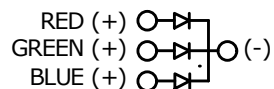
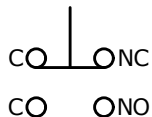
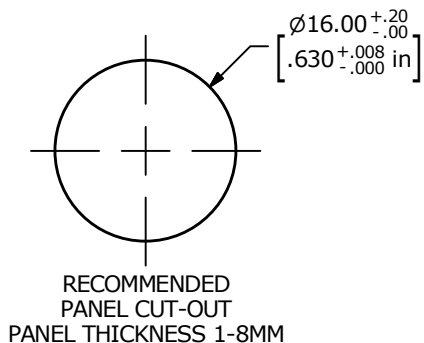


SWITCH FUNCTION	
POS. 1	POS. 2
ON	(ON)
C - NC	C - NO



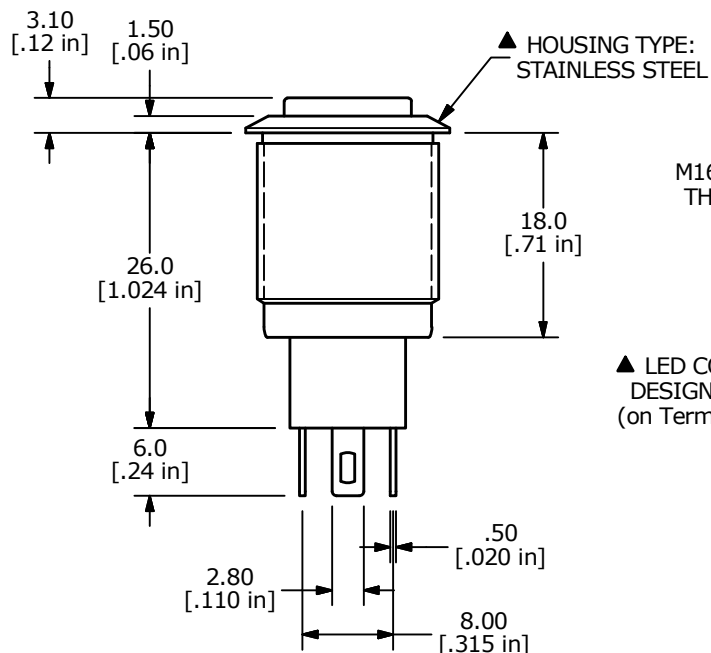
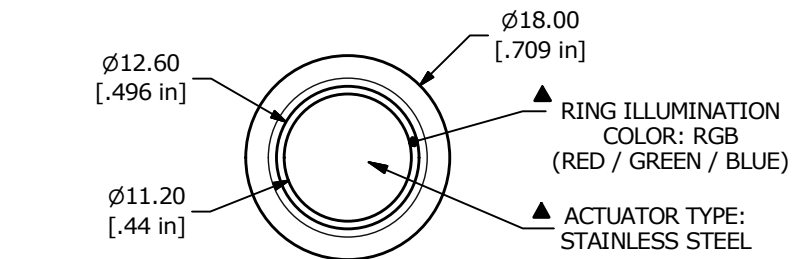
▲ SCHEMATIC

() DENOTES MOMENTARY FUNCTION



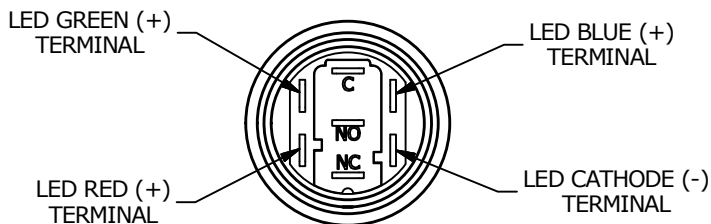
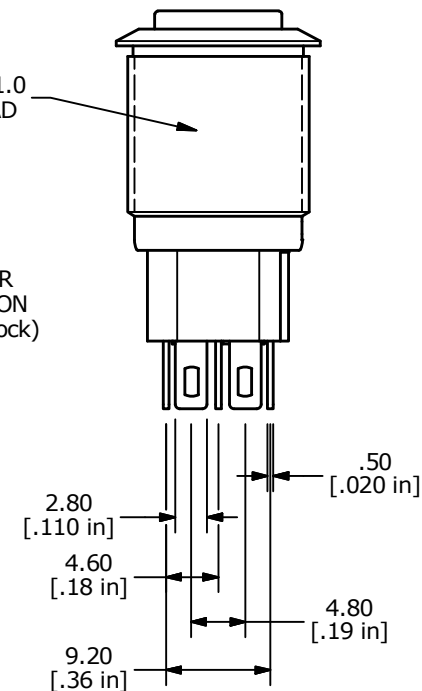
NOTE:

- ALL DIMENSIONS IN mm [INCH]
- GENERAL TOLERANCE: X.X = ±0.4
X.XX = ±0.25
- TERMINAL NUMBERS FOR REF ONLY
- CONTACT MATERIAL: SILVER
- RATING: 2A 36VDC
- ELECTRIC LIFE: 50,000 MAKE-AND-BREAK CYCLES AT FULL LOAD.
- INSULATION RESISTANCE: 1,000 MΩ MIN.
- DIELECTRIC STRENGTH: 1,500 VAC MIN. FOR 1 MINUTE
- CONTACT RESISTANCE: 50mΩ MAX.
- OPERATING TEMP.: -25°C to 55°C
- TRAVEL: 3.0mm
- ▲ DENOTES CRITICAL PARAMETER
- ACTUATION FORCE: 1.7N NOMINAL
- INGRESS PROTECTION: IP65
- HARDWARE SUPPLIED: O-RING AND HEXNUT
- LAMP VOLTAGE: BASE VOLTAGE
1.8V RED; 2.8V GREEN; 2.8V BLUE



M16 x 1.0
THREAD

▲ LED COLOR
DESIGNATION
(on Term. Block)



B	23342	change location of color/voltage callout	5/2/18	MW
A	23163	New Release	1/12/18	rc
REV	PCR NO	DESCRIPTION	DATE	BY

TITLE PVA3H2B0SS3R1				
SCALE	DATE	DR	DWG	REV
1.5:1	1/12/2018	rc	52-PVA3H2B0SS3R1	B

THE INFORMATION CONTAINED IN THIS DOCUMENT IS PROPRIETARY TO E-SWITCH AND IS NOT TO BE COPIED OR TRANSFERRED